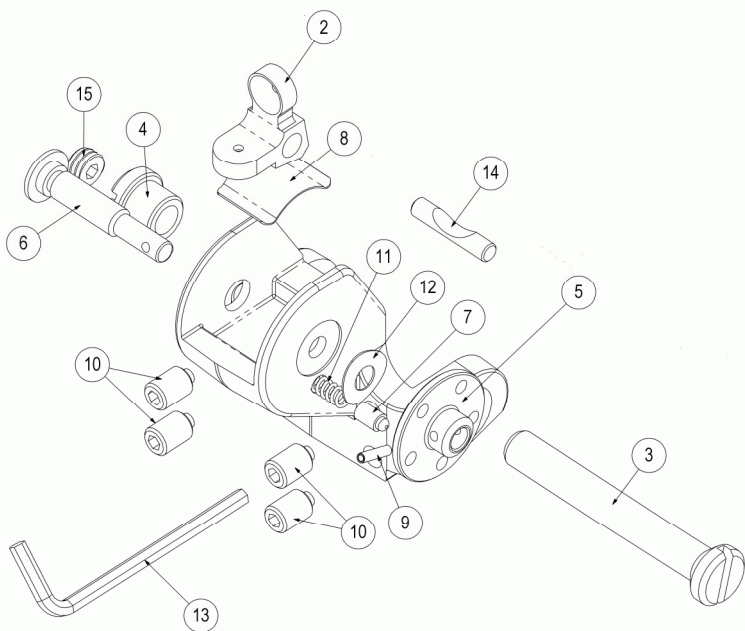


TS100 PARTS LIST

ITEM NO.	PART NUMBER	DESCRIPTION	QTY.	PRICE-EACH
1	TS00001_13	STEEL SIGHT BASE	1	\$40.00
2	TS00109	REAR SIGHT APERTURE	1	8.00
3	TS00104	CROSS SCREW	1	5.00
4	TS00145	NUT	1	3.00
5	TS00108	WINDAGE DRUM, A1	1	4.00
6	TS00107	WINDAGE SCREW, A2	1	3.00
7	TS00002	REAR SIGHT DETENT	1	1.00
8	TS00106	APERTURE SPRING	1	1.50
9	TS00017	ROLL PIN	1	.50
10	TS00018	SET SCREWS	4	1.00
11	TS00116	DETENT SPRING	1	1.50
12	TS00019	SPRING WASHER	1	2.50
13	TS00130	ALLEN KEY, 3/32"	1	1.00
14	TS00117	SIGHT REPLACEMENT PIN	1	5.00
15	TS00128	LOCK SCREW	1	2.00

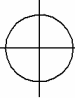


PRODUCT GUARANTEE

The Tech-SIGHTS TS100 has been designed to be a quality accessory for your firearm. If any part of the TS100 should fail due to normal usage or manufacturing defect, we will replace the part(s) at no charge to the customer for a period of one year from the date of purchase.

The TS100 gives the shooter a quality extended sighting radius aperture sight. Although we have made every effort to create a sight that will increase the accuracy of your firearm, we can make no guarantee as to the results each individual will experience using the sight.

5/14/14 REV B

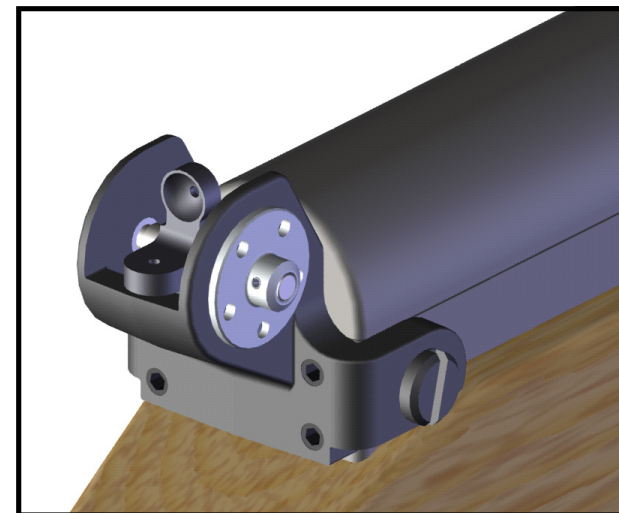
Tech  **SIGHTS**™

Tech-SIGHTS, LLC
Hartsville, SC 29550

Phone: 843-332-8222
Email: sales@Tech-SIGHTS.com
www.Tech-SIGHTS.com

Tech  **SIGHTS**™

SIGHT ADJUSTMENT OPTIONAL ACCESSORIES and PARTS LIST for the TS100 SIGHT



Receiver Mounted Aperture Sight
For the SKS Rifle

Tech SIGHTS™

Sight Adjustment for the TS100 Sight

The sight picture is what you see when the sights and target are properly aligned. Figure 1 shows the proper sight picture.

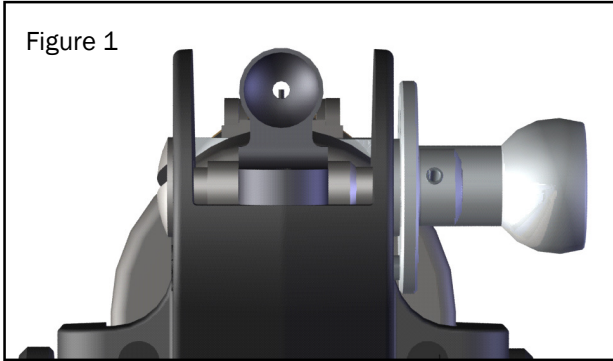


Figure 1

Adjusting the TS100 to align the sight with the point of impact is a simple process. The TS100 has an adjustable windage drum mounted to the right side of the sight assembly. There is a spring detent that locks the windage drum once the rotational adjustments have been made. See Figure 2.

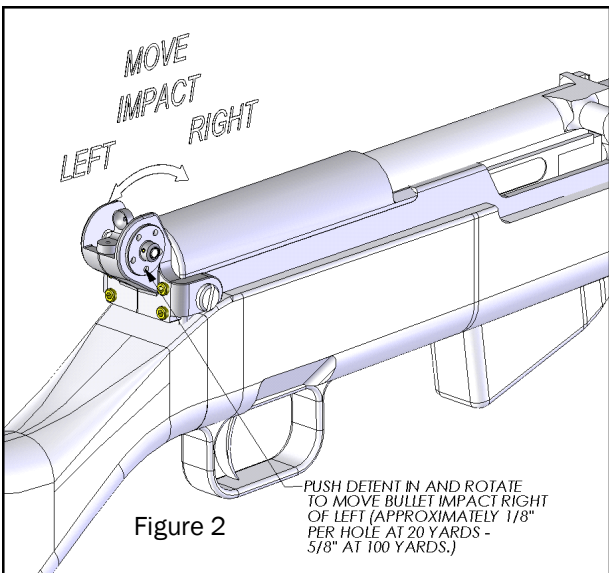


Figure 2

The drum is rotated by pressing in on the detent and rotating the drum clockwise (CW) or counter clockwise (CCW). The drum has five index holes in it. Rotating the drum CW one index hole moves the point of impact to the right 1/8" at 20 yards or approx. 5/8" at 100 yards. Rotating the drum CCW moves the point of impact to the left.

Elevation adjustment is accomplished by adjusting the front post sight. Turning the sight CW raises the point of impact. Turning the front post CCW lowers the point of impact. See Figure 3.

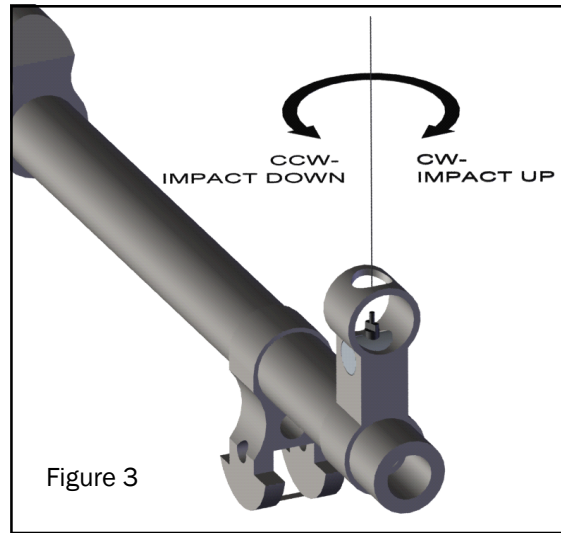
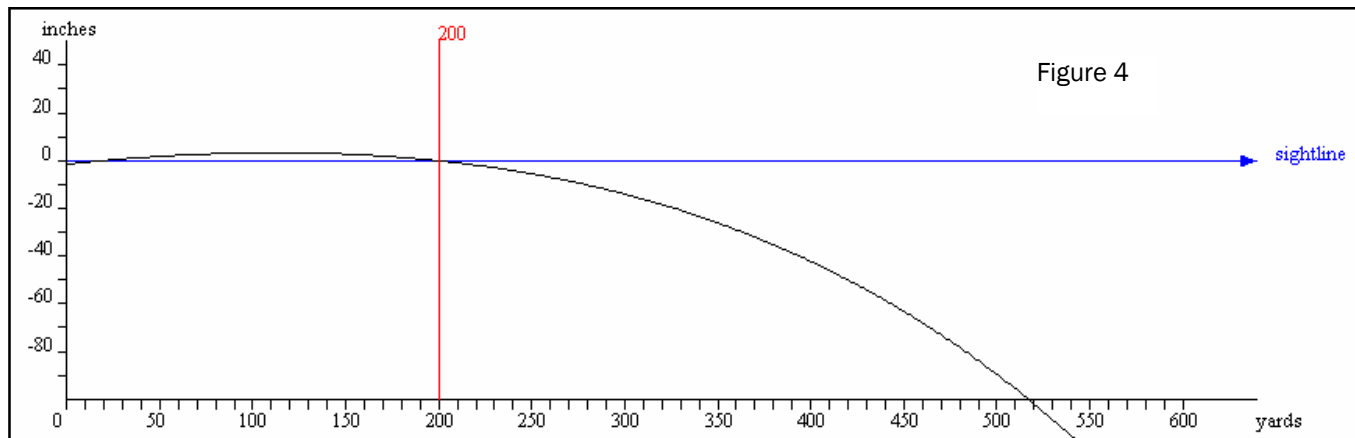


Figure 3

The TS100 has two apertures. One is marked 0-2 for shooting 0 to 200 yards and the other for 300 yards and beyond. Figure 4 shows the 7.62 x 39 trajectory using the 0-2 aperture for a 20 yard zero (point of impact adjusted to point of aim). This will place the point of impact 3" high at 100 yards and right on at 200 yards. Changing from the 0-2 aperture to the long range aperture will move the point of impact back on at 300 yards.



Optional Component Accessories for the TS100 Sight

In order to provide the customer with the best possible product, we have added the following optional components:

1. Locking screw with wrench
2. Leaf spring retaining pin

The cross screw and nut assembly for the TS100 should not loosen under normal use if properly tightened. However, we are providing an additional screw that will lock the cross screw and nut to prevent possible loosening during sustained firing. (Figure 5)

We are also providing a pin that replaces the original leaf sight allowing the leaf sight spring to remain in place as a debris guard as noted in the Suggested Site Removal Instructions. Insert the pin with the flat side down. (Figure 6)



Figure 5



Figure 6