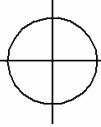
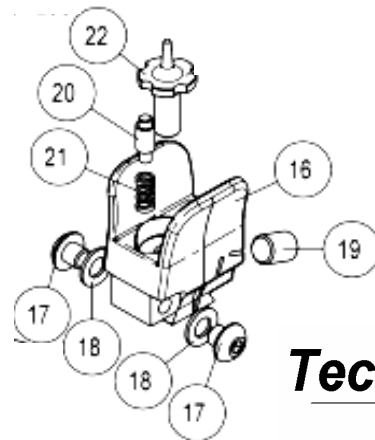
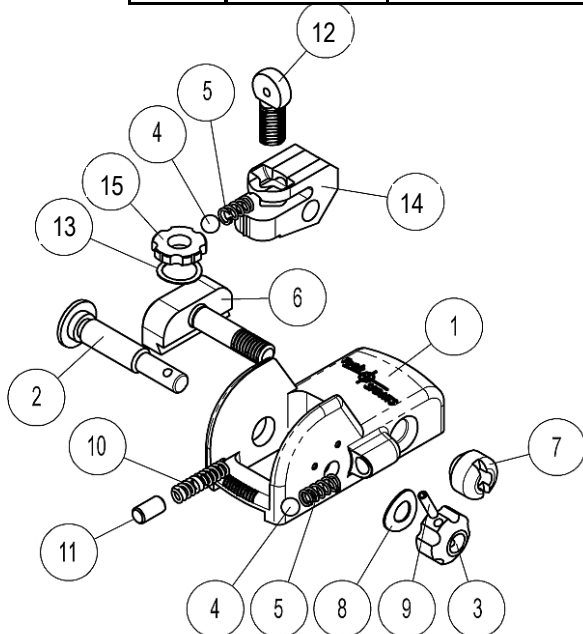
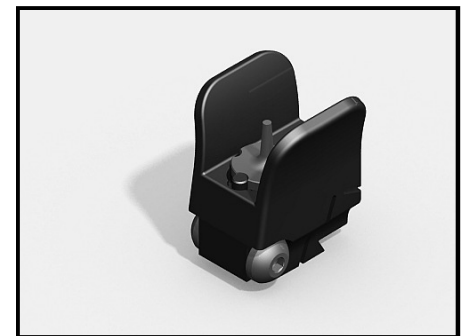
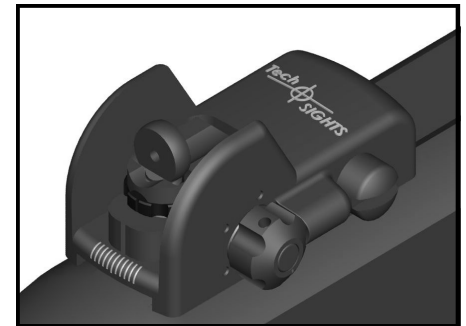


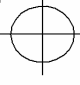
ITEM NO	PART NUMBER	DESCRIPTION	QTY	PRICE EACH
1	TS00173	SIGHT BASE	1	\$20.00
2	TS00107	WINDAGE SCREW, A2	1	\$3.00
3	TS00170	KNOB	1	\$8.00
4	TS00136	BALL, .125" DIAMETER CHROME	2	\$1.00
5	TS00135	ELEVATION DETENT SPRING	2	\$1.00
6	TS00238	LOCK BLOCK ASSEMBLY	1	\$8.50
7	TS00239	NUT	1	\$5.00
8	TS00168	DISC SPRING	1	\$ 2.00
9	TS00017	ROLL PIN	1	\$0.50
10	TS00116	DETENT SPRING	1	\$1.50
11	TS00169	STABILIZER PLUNGER	1	\$1.50
12	TS00134	APERTURE, .062 DIAMETER	1	\$8.00
13	TS00131	SPRING WASHER, ELEVATION	1	\$2.00
14	TS00132	ELEVATION BASE	1	\$10.00
15	TS00133	DIAL	1	\$5.00
16	TS00139_09	SIGHT TOWER	1	\$12.00
17	TS00216	BUTTON HEAD SCREW 6-32 X 1/8"	2	\$2.00
18	TS00215	STOP WASHER	2	\$1.00
19	TS00217	SOCKET SET SCREW-10-32 X 1/4" DOG POINT	1	\$1.00
20	TS00137	DETENT	1	\$1.50
21	TS00141	ELEVATION DETENT SPRING	1	\$1.00
22	TS00182	FRONT POST-EXTENDED .045	1	\$5.00

Tech  **SIGHTS™**

Precision Shooting Accessories

INSTRUCTIONS for the TSR200RL



Tech  **SIGHTS™**

Phone: 843-332-8222
Email: sales@Tech-SIGHTS.com
www.Tech-SIGHTS.com

Copyright 2013 Tech-SIGHTS, LLC Rev. B

Aperture Sight Package
For the Ruger® 10/22 Rail

Tech SIGHTS™

Assembly Instructions for the TSR200RL Ruger® 10/22 Rail

1. Remove the magazine from the rifle.
2. Check the chamber to make sure that it is empty. Work the action until you can visually confirm that there are no cartridges in the chamber and that it is empty.
3. Secure the barrel just below the front sight. Be sure to support the whole rifle so as not to bend the barrel.
4. Use a brass punch to tap on the base of the front sight. Drive the front sight blade out of the dovetail slot from left to right. (See Figure 1)

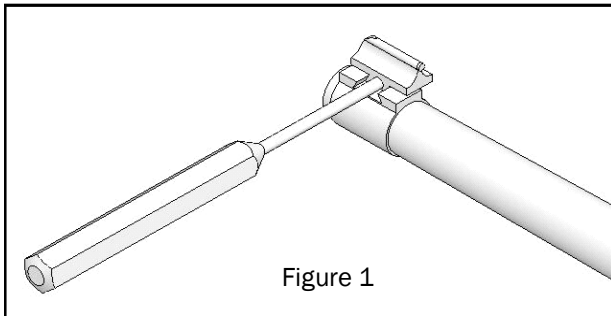


Figure 1

5. Remove the two button head screws (TS00216) and stop washers (TS00215) from the sight tower, if they are assembled on the tower. (See Figure 2)

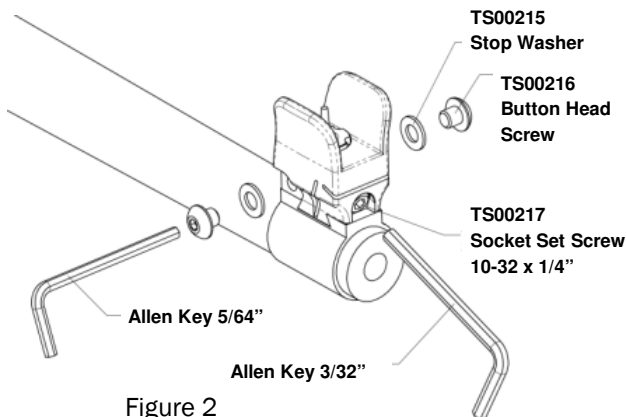


Figure 2

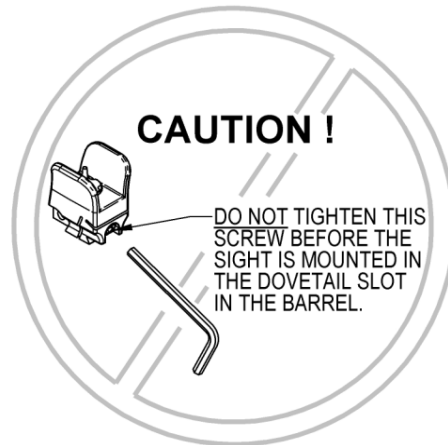
6. Before installing the front sight tower in the dovetail on the barrel, apply a small amount of medium strength loc-tite (blue) to the 10-32 socket set screw (TS00217) and thread it into the front of the sight tower until flush. It threads in angled upward slightly. **DO NOT TIGHTEN THE SET SCREW UNTIL THE SIGHT TOWER IS INSTALLED IN THE DOVETAIL ON THE BARREL!**

7. Slide or tap sight tower into the dovetail slot, right to left, until it is centered on the barrel.

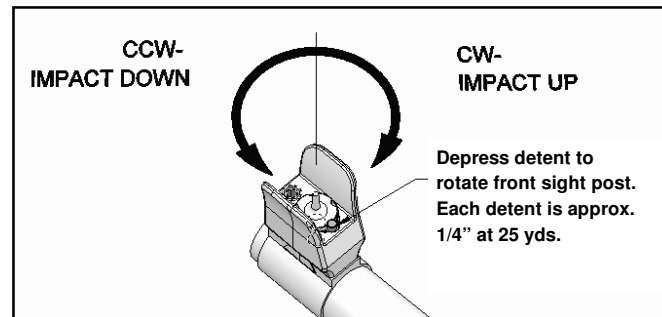
8. Apply a small amount of medium strength loc-tite (blue) to the button head screws. If you apply too much loc-tite it can cause the spring and detent located behind the threaded holes to stick. Assemble and tighten the stop washers and button head screws to the sight tower using the 5/64 allen key.

9. Tighten the 10-32 socket set screw (TS00217) with the 3/32 allen key. **DO NOT OVER TIGHTEN!**

10. Install the Ruger factory scope rail using the four screws supplied with the rail. Be sure to apply a small amount of medium strength loc-tite to each screw.



Front Sight Adjustment



11. Apply a small amount of medium strength loc-tite (blue) to the threads on Lock Block Assembly (TS00238).

12. Position the Rear Sight Assembly on the scope rail.

13. Slide the Rear Sight Assembly to the left, engaging the right side of the scope rail.

14. Assemble the Nut (TS00239) as shown in Figure 3.

15. Slide the Rear Sight Assembly to the desired position and tighten the nut securing the assembly to the scope rail. See Figure 3.

16. This completes the installation of the TSR200RL.

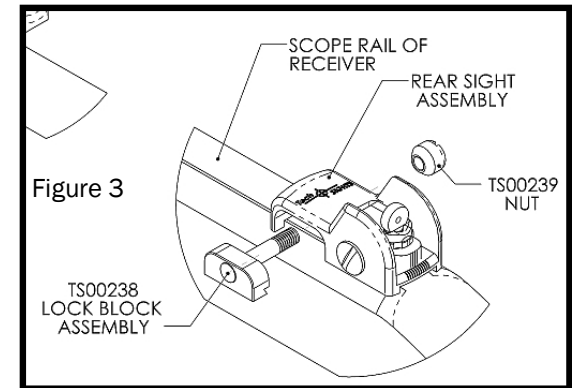


Figure 3

Sight Adjustments for the TSR200RL Sights

