

Tech TM **SIGHTS**

Precision Shooting Accessories

AK100 & AK200 SIGHT ADJUSTING INSTRUCTIONS & PARTS LIST FOR THE AK47 RIFLE & VARIANTS

PRODUCT GUARANTEE

The Tech-SIGHTS AK Series sights for the AK47 rifle and variants have been designed to be a quality accessory for your firearm. If any part of the AK sight should fail due to normal usage or manufacturing defect, we will replace the part(s) at no charge to the customer for a period of one year from the date of purchase.

Tech-SIGHTS has designed the AK Series sights to fit most AK rifle and variants. Due to the quality of parts and/or assembly of the rifle, some fitting may be required. If you are unable or uncomfortable in making the required adjustments, please contact a qualified gunsmith to complete the work.

Although we have made every effort to create a sight that will increase the accuracy of your firearm, we can make no guarantee as to the results each individual will experience using the sight.

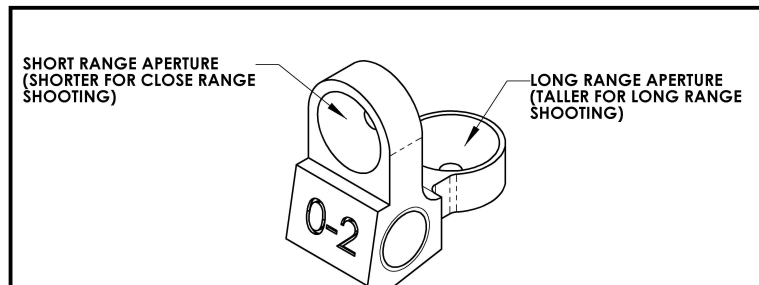
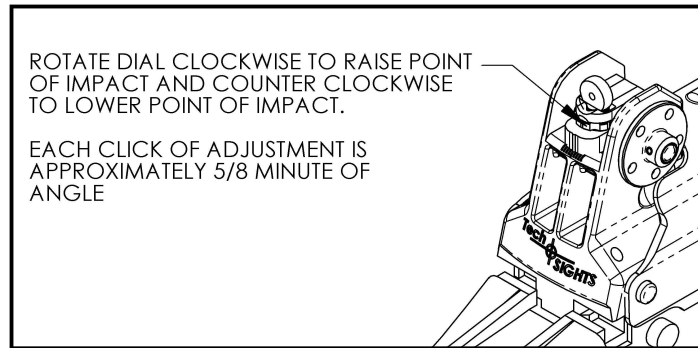
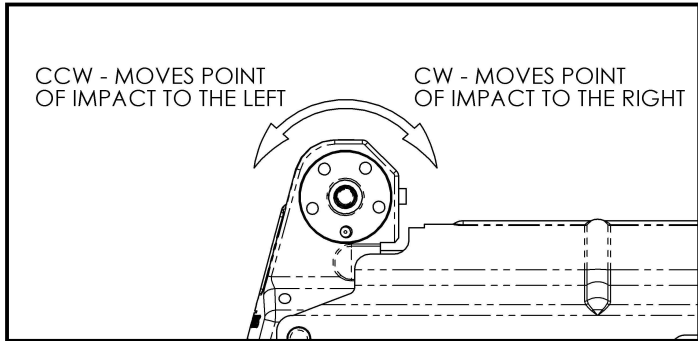


Tech  TM
SIGHTS

Tech-SIGHTS, LLC
904 Deer Run Drive
Hartsville, SC 29550
Phone: 843-332-8222
Email: sales@Tech-SIGHTS.com
www.Tech-SIGHTS.com

Tech TM SIGHTS

Sight Adjusting Instructions & Parts List for the AK Series Sights



ITEM NO.	PART NUMBER	DESCRIPTION	QTY.	PRICE EACH
1	TS00109	REAR SIGHT APERTURE	1	\$ 8.00
2	TS00108	WINDAGE DRUM	1	\$ 4.00
3	TS00107	WINDAGE SCREW	1	\$ 3.00
4	TS00017	ROLL PIN, 1/16 X 1/4"	1	\$.50
5	TS00106	APERTURE SPRING	1	\$ 1.50
6	TS00002	REAR SIGHT DETENT	1	\$ 1.00
7	TS00116	DETENT SPRING	1	\$ 1.50
8	TS00187	COVER DETENT PLUNGER	2	\$ 3.00
9	TS00204	COVER DETENT SPRING	2	\$ 2.00
10	TS00186	SIGHT BASE ASSEMBLY	1	\$59.00
11	TS00132	ELEVATION BASE	1	\$10.00
12	TS00133	DIAL	1	\$ 5.00
13	TS00134	APERTURE - .062 DIA.	1	\$ 8.00
14	TS00131	SPRING WASHER, ELEVATION	1	\$ 2.00
15	TS00135	ELEVATION DETENT SPRING	1	\$ 1.00
16	TS00136	BALL, .125" DIAMETER CHROME	1	\$.50
17	TS00188	ROLL PIN, 3/32 X 3/8"	2	\$.75
18	TS00142	SOCKET SET SCREW - 8-32 X .25"	1	\$.75
19	TS00019	DISC SPRING	1	\$ 2.50
20	TS00117	SIGHT REPLACEMENT PIN	1	\$ 5.00
21	TS00189	COVER	1	\$20.00
22	TS00190	COVER (YUGO)	1	\$20.00

