

Q. Will I need additional parts to install my AK Series sights?

A. The AK rifles were built with two different type Recoil Spring Assemblies as illustrated in Figure 1. One uses a wire loop type guide for the recoil spring to slide on and the other a telescoping tube spring guide to guide the recoil spring. If your AK rifle uses the wire loop spring guide you can just replace the rear portions of the recoil assembly with the Tech-SIGHTS AK Series Sight Assembly and you are good to go.

If your rifle uses the telescoping tube spring guide, you will have to add the moveable guide rod (TS00209) and retaining collar (TS00208) designed for the wire loop type guide system as shown in Figure 2. Tech-SIGHTS has these part available and are also available at many other AK47 parts suppliers.

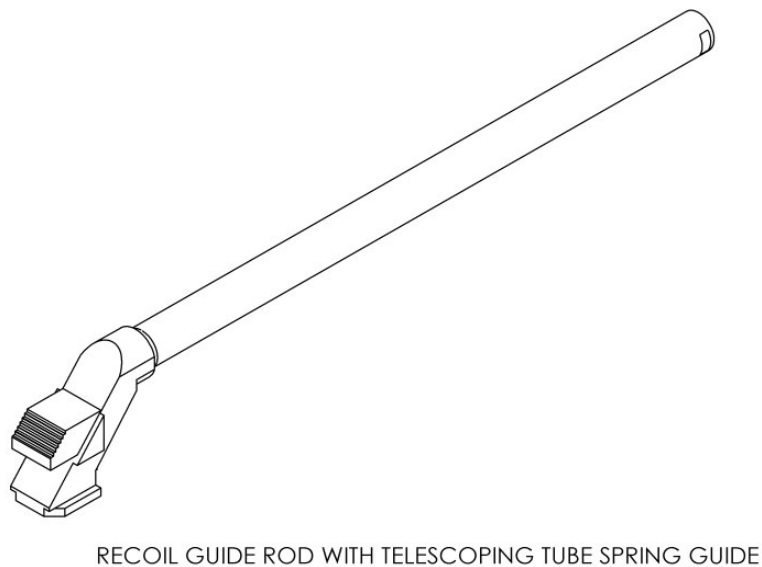
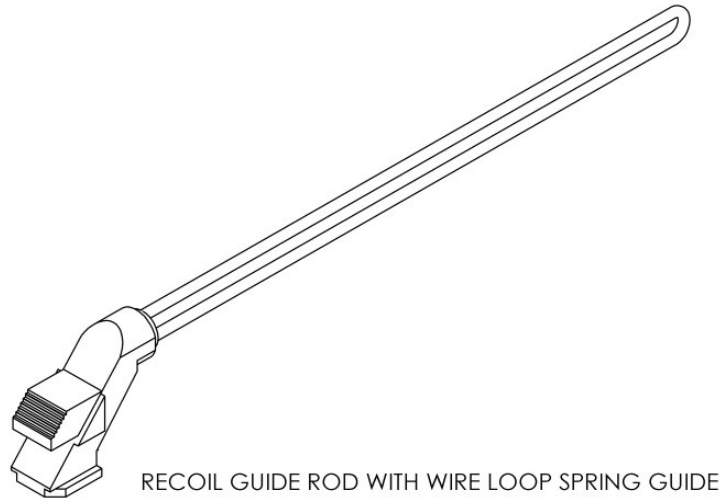


Figure 1.

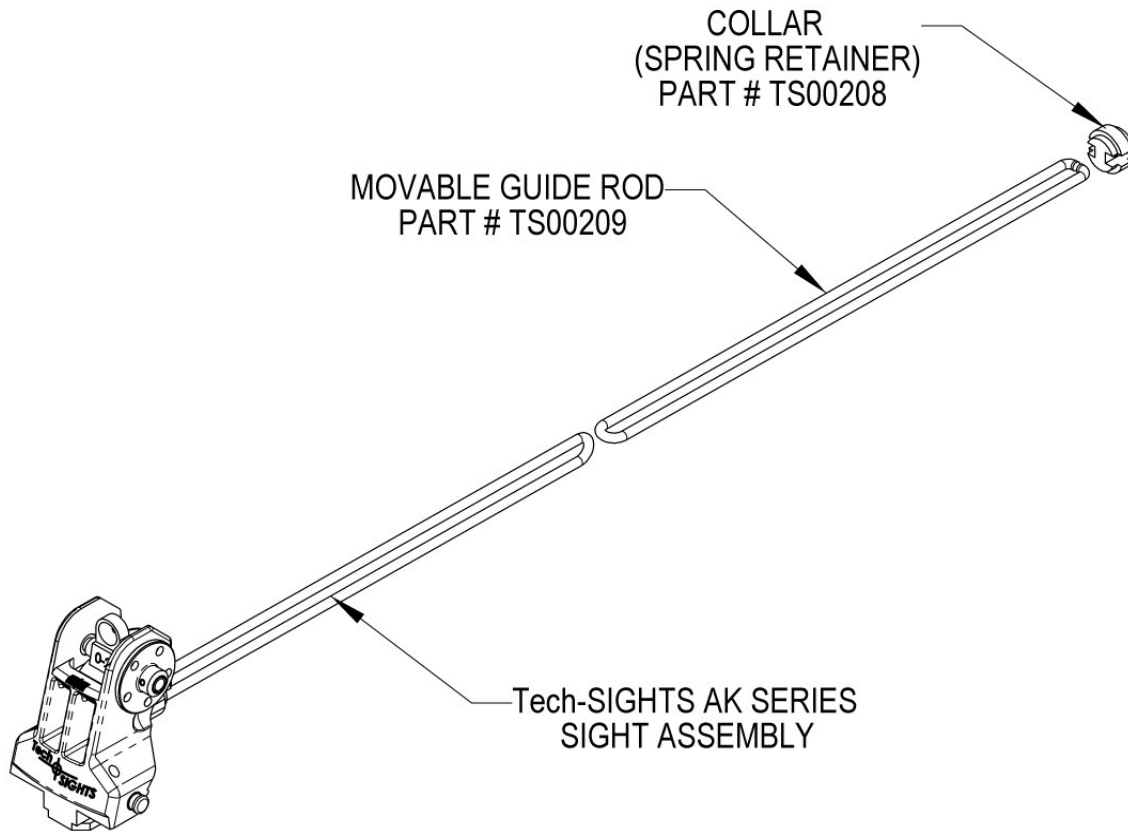


Figure 2.

Q. Do I have to remove the Tech-SIGHTS AK100 or AK200 for cleaning the rifle and if I do will I lose my zero upon reassembling the rifle?

A. This is a very important question. Yes you will have to remove the sight to do a full cleaning of the rifle. As always it is very important to make sure the rifle is unloaded by removing the magazine and checking to make sure the chamber is empty of ammunition before proceeding. Our AK100 and AK200 sights are designed to return to zero after being removed from the rifle. The sights were also designed to be disassembled with the use of a FMJ bullet tip making field maintenance easy and uncomplicated.

Q. How can the sight return to zero after being dissembled if a bullet tip is all that it takes to remove it from the rifle?

A. This is another good question and allows the opportunity to point out the unique design of the AK series sighting system that we have developed. The design of our AK sights is simple and yet profound at the same time. Our sight mounts in the tee slot found in the rear trunion of the AK receiver. This tee slot is made of machined surfaces cut into the trunion and is therefore a very stable feature on the receiver of the rifle. Our sight base has a matching tee shaped base that allows it to slip into this tee slot at the rear of the AK receiver. The tee slots in the rear trunion vary from manufacturer to manufacturer. We have designed our tee shaped base on the sight with a threaded hole that allows for an adjusting screw ensuring the best fit possible. Because we have integrated our sight into the rear of the recoil assembly the full force of the recoil spring continually ensures the sight base is seated into the rear trunion making for a solid and repeatable seat for the sight base. See Figures 3 & 4.



Figure 3.

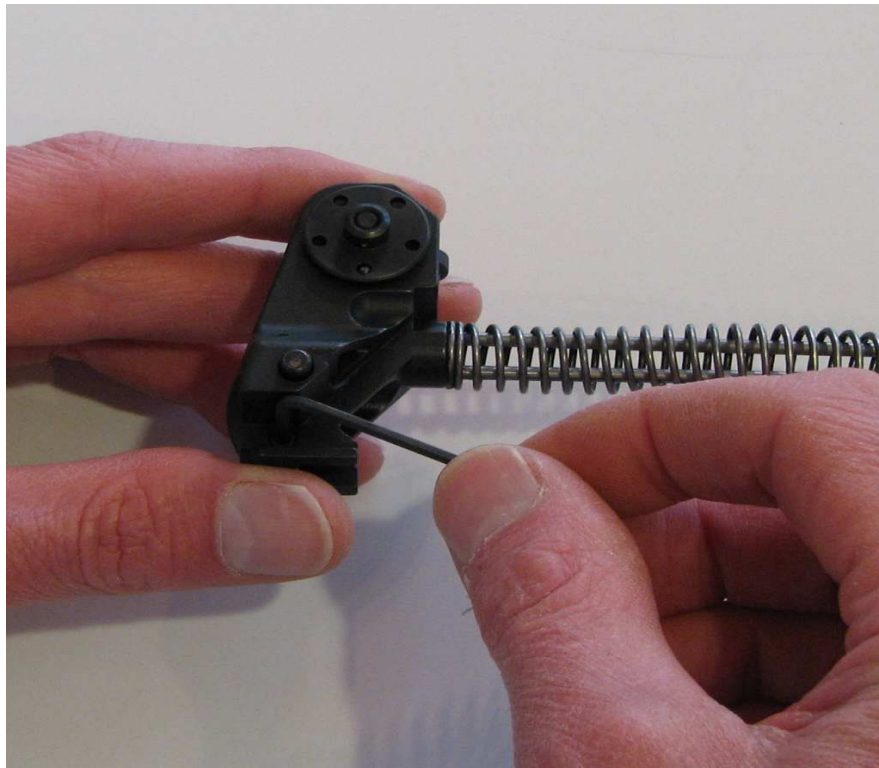


Figure 4.

Q. What if I drop my rifle? Is the sight durable enough to hold position?

A. That is a tough question. We have drop tested the rifle and it does hold zero. The machined surfaces of the trunion and the sight base along with the consistent pressure of the recoil spring do their job to keep the sight in a repeatable position. The all steel construction and patent pending design of the Tech-SIGHTS AK series sights live up to the tactical job they were designed for.

Q. Will your sight and cover fit on an AK with a milled receiver?

A. Yes, the sight will fit but may require some filing as the trunions on the milled receiver tend to be a little tighter.

Q. Will your sights fit my Saiga 223/7.62 x 39?

A. The Saiga 223 /7.62 x 39 uses interchangeable recoil assembly and cover with the AKs. So the AK100S and the AK200S will work.

Q. Do I have to modify my rifle?

A. No permanent modifications are needed.

Q. Will my old cover work?

A. No, it won't work. A new cover is supplied with the sight.



AK100S

AK100Y